



Expanded "J" Opaque Cover



CONFIGURATION

Hinged, padlock latch



HPL Construction

Material	SolarGuard® – Hot compression molded fiberglass reinforced polyester (thermoset)
Gasket	Poured polyurethane seamless gasket provides watertight, dust-tight environmental seal
Stainless Steel Hardware	300 Series stainless used on all external hardware
Molded in Mounting Feet	Molded in mounting feet for ease of mounting
Mounting Bosses	Panel mounting capability for fixed rear panel
Metal Inserts	Back panel utilizes threaded brass inserts accepting 3/8" - 16 screws
Soft Edge Design	Rounded edges, minimal protrusions or exposed pocket areas for assembly of dust and debris
Color	Available standard glacier grey (PMS 428C)

HPL Modifications

Custom Colors	pg. 21-22
Silk Screening	pg. 21-22
EMI/RFI Shielding	pg. 21-22
Custom Window	pg. 21-22
Custom Cutouts/Holes	pg. 21-22

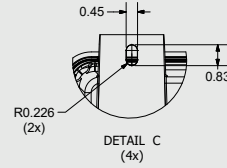
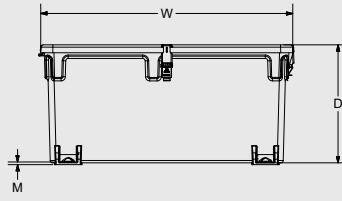
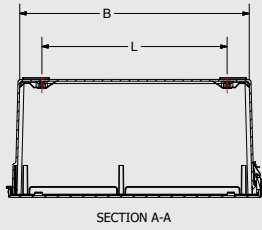
HPL Industry Standards

NEMA 250, UL Listed UL50, UL50e, UL508A	File E64358 Type 1, 3R, 4X, 6P*, 12
CSA Std C22.2	File LR069014; Type 1, 3R, 4X, 6P*, 12
IEC 60529	File E362920 IP66; IP 6X for 3PT
UL1741	File E333478; W, HW, HPL, FHW
Plenum Space (UL2043) Compliant	Yes
Temperature Range	(-76°F to +274°F) (-60°C to +134°C)
Flammability Rating	UL94-5V
Impact Rating	IK10
Self Extinguishing	Non-halogenated, non-flame propagating
Chemical Resistance	Full chemical resistance charts listed in appendix
NFPA No. 101 Flame Spread	Class A (1)
Outdoor Exposure UL746C	(f1) Rated

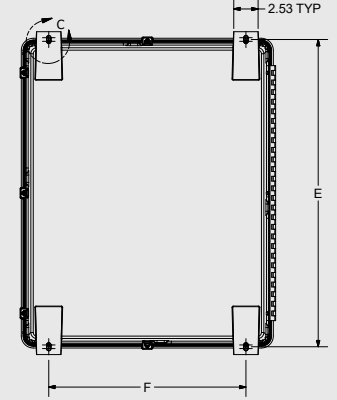
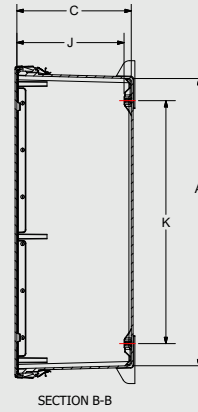
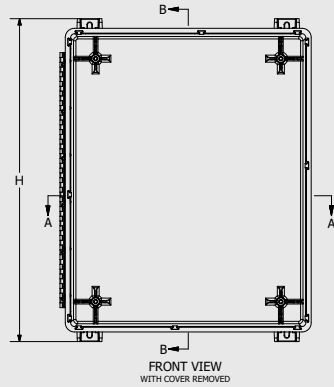
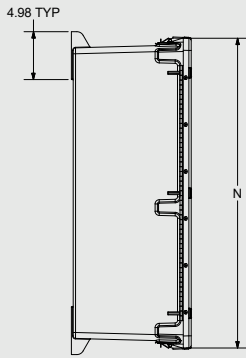
HPL Accessories

PANELS	Aluminum	BP_AL	pg. 174-175
	Fiberglass	BP_FG	pg. 174-175
	Stainless Steel	BP_SS	pg. 174-175
	Carbon Steel	BP_CS	pg. 174-175
ACCESSORIES	Dead Front Panels		pg. 180-181
	Drain & Breather Vents		pg. 185
	Hole Plugs		pg. 187
	Assorted Hubs and Cord Grips		pg. 188-189
	All Other Accessories		pg. 184-194

* Consult Factory on available sizes.



- NOTES:
 1. CATALOG DRAWING IS FOR REFERENCE ONLY
 2. SEE ACTUAL PART DRAWING FOR SPECIFIC DESIGN
 3. NOTE J DIMENSION IS WITH AL 0.128" THICK BACK PANEL INSTALLED; BACK PANEL NOT SHOWN
 4. BACK PANEL IS SOLD SEPARATELY



SCREW SIZES & TORQUE VALUES

PRODUCT SIZES	BACK PANEL SCREW SIZE	BACK PANEL RECOMMENDED TORQUE	COVER SCREW SIZE	COVER SCREW RECOMMENDED TORQUE	RECOMMENDED MOUNTING FLANGE TORQUE
J3024	3/8-16 x 1/2	28 - 32 in-lbs	N/A	N/A	80 in-lbs max

J Series – Expanded J Opaque Cover

CATALOG NUMBER	OVERALL H X W X D	INSIDE A X B X C	MOUNTING E X F	J	K	L	M	N	HOLE DIA.	SHIP WEIGHT	PANEL NUMBER
J3024HPL	33.56 x 26.18 x 12.26	29.85 x 23.85 x 11.89	31.93 x 20.49	11.06	25.25	19.25	0.28	32.19		46 lbs.	BPJ3024***
J2430HPL	26.18 x 33.56 x 12.26	23.85 x 29.85 x 11.89	20.49 x 31.93	11.06	19.25	25.25	0.28	26.18		46 lbs.	BPJ3024***

All measures are in inches, items in parentheses are in millimeters.



*Crowned cover – center of cover raised 3/4"



**Panel sold separately